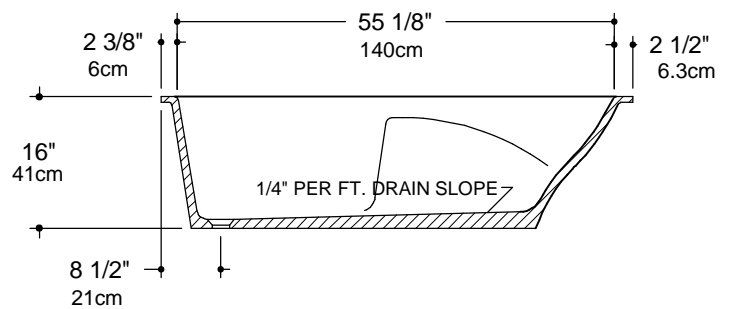
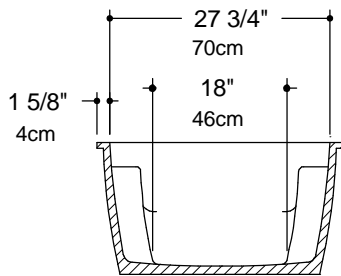
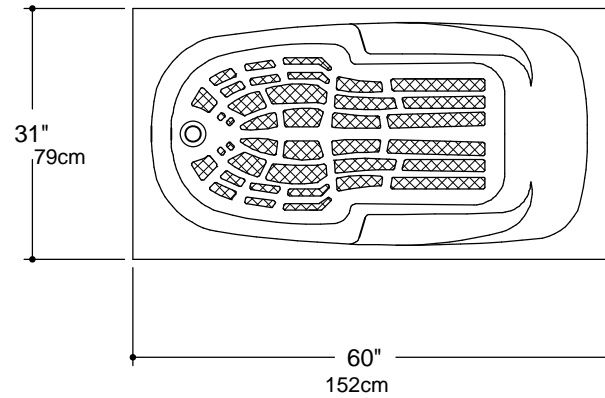


**MK12**

GRUBER SYSTEMS RESERVES THE RIGHT TO CHANGE THIS INFORMATION AT ANY TIME WITHOUT PRIOR NOTICE. ISSUED BY GRUBER SYSTEMS INC., 25636 AVENUE STANFORD, VALENCIA, CA 91355, USA. COPYRIGHT 2002



MOLD PART	CATALOG No.	DESCRIPTION
MALE	<b>29012</b>	<b>MK 12 MALE</b>
FEMALE	<b>490128</b>	<b>F- MK 12 ONE PIECE</b>
2PC FEM DECK	<b>490121</b>	<b>F- MK 12 DECK</b>
2PC FEM BOT	<b>490122</b>	<b>F- MK 12 BOTTOM</b>
TURTLE	<b>490123</b>	<b>F- MK 12 TURTLE</b>
ULFF	<b>490129</b>	<b>ULFF 12 1/2"</b>
ULFF INSERT	<b>4901291</b>	<b>ULFF MARK 12 INSERT</b>
SPEEDY PLUG	<b>29112</b>	<b>MARK 12 SPEEDY PLUG</b>
NAME	<b>MK 12 BATHTUB 60" X 31" X 16" (152cm X 79cm X 41cm)</b>	
CAST WEIGHT	SCALE 1/2" = 1' 0"	DATE 8-30-02 PAGE No. T-2