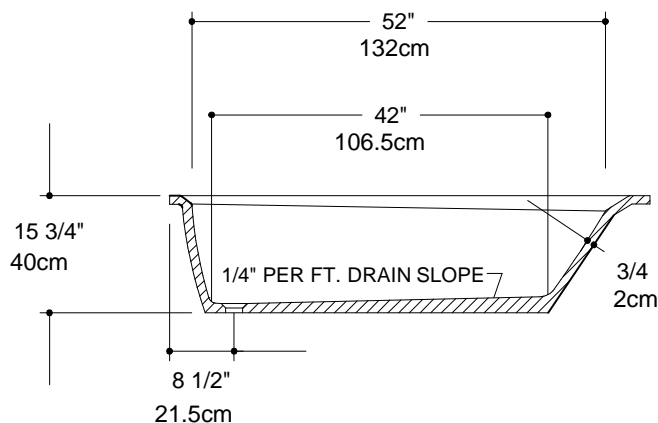
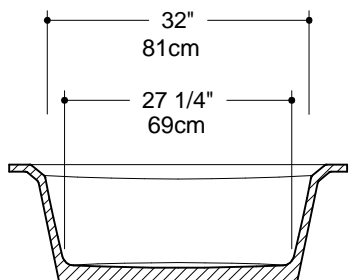
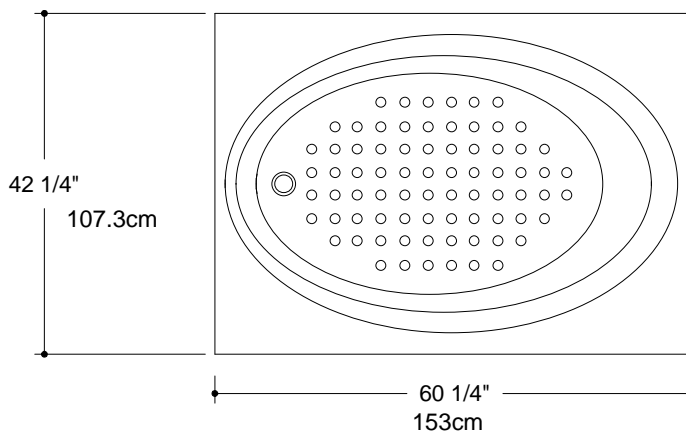


MK14



GRUBER SYSTEMS RESERVES THE RIGHT TO CHANGE THIS INFORMATION AT ANY TIME WITHOUT PRIOR NOTICE. ISSUED BY GRUBER SYSTEMS INC., 25636 AVENUE STANFORD, VALENCIA, CA 91355, USA. COPYRIGHT 2002

MOLD PART	CATALOG No.	DESCRIPTION
MALE	29014	MK 14 MALE
FEMALE	490148	F- MK14 ONE PIECE
2PC FEM DECK	490141	F- MK 14 DECK
2PC FEM BOT	490142	F- MK 14 BOTTOM
TURTLE	490143	F- MARK 14 TURTLE
ULFF	490149	ULFF- MK 14 1/2"
ULFF INSERT	4901491	ULFF MK 14 INSERT
SPEEDY PLUG	29114	MARK 14 SPEED PLUG
NAME	MK 14 BATHTUB 60 1/4" X 42 1/4" X 15 3/4" (153cm X 107cm X 40cm)	
CAST WEIGHT	SCALE 1/2" = 1' 0"	DATE 8-30-02 PAGE No. T-4