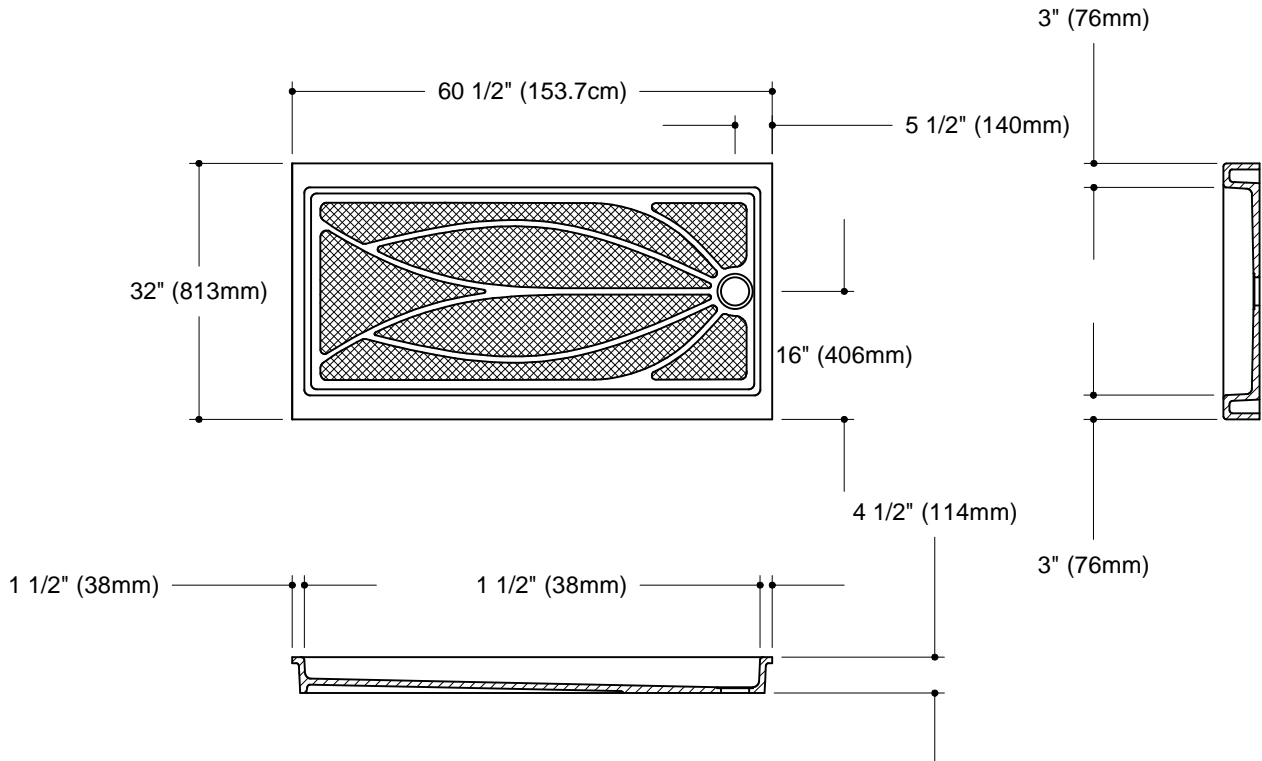


GRUBER SYSTEMS RESERVES THE RIGHT TO CHANGE THIS INFORMATION AT ANY TIME WITHOUT PRIOR NOTICE. ISSUED BY GRUBER SYSTEMS INC., 25636 AVENUE STANFORD, VALENCIA, CA 91355, USA. COPYRIGHT 2000



MOLD PART	CATALOG No.	DESCRIPTION
MALE	23045	1050-27 32 x 60 1/2
FEMALE	430459	ULFF-COMBO INSERT 1050-27
NAME	1050-27 SHOWER PAN 32" x 60 1/2"	
CAST WEIGHT	SCALE 1/2" = 1' 0"	DATE 10-11-00 PAGE No.