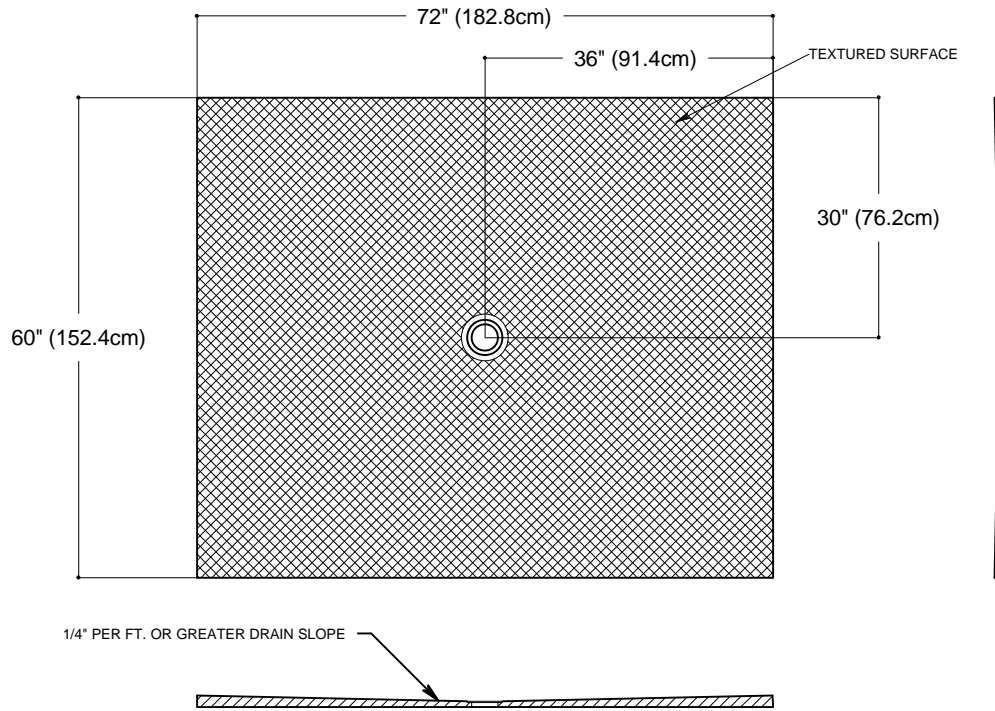


GRUBER SYSTEMS RESERVES THE RIGHT TO CHANGE THIS INFORMATION AT ANY TIME WITHOUT PRIOR NOTICE. ISSUED BY GRUBER SYSTEMS INC., 25636 AVENUE STANFORD, VALENCIA, CA 91355, USA. COPYRIGHT 2001



1050-18 SHOWN ABOVE. SCALE 1/2" = 1' 0"

**NOTE: ALL 1050 UNIVERSAL SHOWERS HAVE CENTER DRAINS AND A MINIMUM DRAIN SLOPE OF 1/4" PER FOOT.**

DIMENSIONS		CATALOG No.	DESCRIPTION
INCHES	CENTIMETERS		
60 x 72	152.4 x 182.8	23018	1050-18 60 x 72 UNIVERSAL SHOWER
72 x 96	182.8 x 243.8	23019	1050-19 72 x 96 UNIVERSAL SHOWER
96 x 96	243.8 x 243.8	23020	1050-20 96 x 96 UNIVERSAL SHOWER
96 x 120	243.8 x 508	23021	1050-21 96 x 120 UNIVERSAL SHOWER
60 x 96	152.4 x 243.8	23023	1040-23 60 x 96 UNIVERSAL SHOWER
84 x 84	213.3 x 213.3	23024	1050-24 84 x 84 UNIVERSAL SHOWER
72 x 120	182.8 x 508	23025	1050-25 72 x 120 UNIVERSAL SHOWER
48 x 60	121.9 x 152.4	23026	1050-26 48 x 60 UNIVERSAL SHOWER
84 x 120	213.3 x 508	23027	1050-27 84 x 120 UNIVERSAL SHOWER
86 x 120	218.4 x 508	23028	1050-28 86 x 120 UNIVERSAL SHOWER
89 x 120	226 x 508	23029	1050-29 89 x 120 UNIVERSAL SHOWER
94 x 120	238.7 x 508	23031	1050-31 94 x 120 UNIVERSAL SHOWER
60 x 84	121.9 x 213.3	23032	1050-32 60 x 84 UNIVERSAL SHOWER