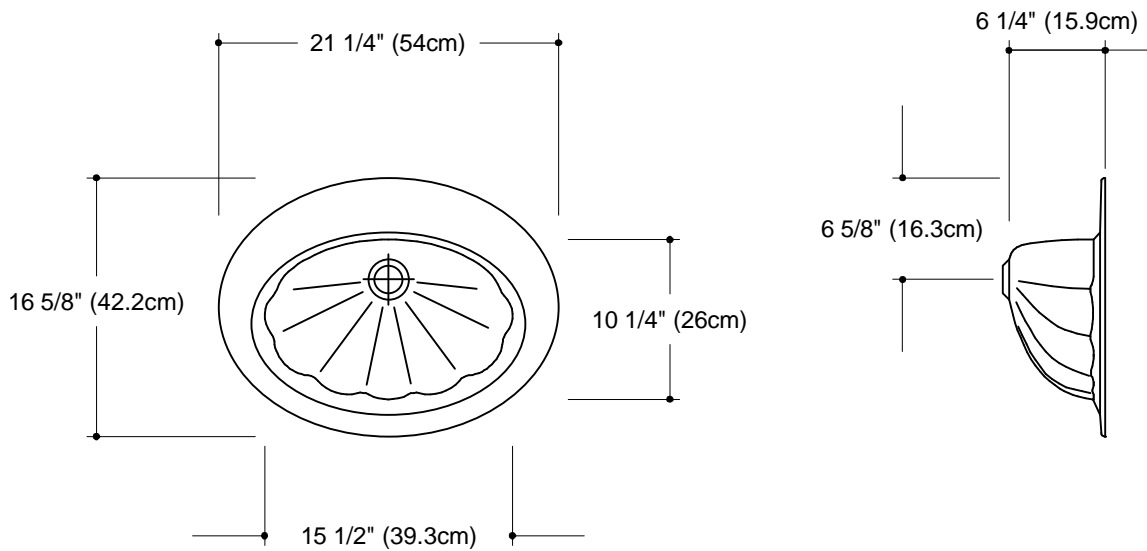


GRUBER SYSTEMS RESERVES THE RIGHT TO CHANGE THIS INFORMATION AT ANY TIME WITHOUT PRIOR NOTICE. ISSUED BY GRUBER SYSTEMS INC., 25636 AVENUE STANFORD, VALENCIA, CA 91355, USA. COPYRIGHT 2002



MOLD PART	CATALOG No.	DESCRIPTION
MALE	20059	108-LNS MAKAHA
FEMALE	400587	F-108-LN/LNS
	4005877	F-108-LN/LNS NO OVERFLOW
PERMANENT HATS	00233	PH-LN/LNS
	00233C	PH-LN/LNS
	00234	PH-LN/LNS NO OVERFLOW
REUSABLE HATS	013615	RH-LN/LNS
	013614	RH-LN/LNS NO OVERFLOW
	01459	LN/LNS UNTRIMMED
NAME	108 MAKAHA	
CAST WEIGHT	SCALE 1" = 1' 0"	DATE 8-30-02
		PAGE No. BF-14