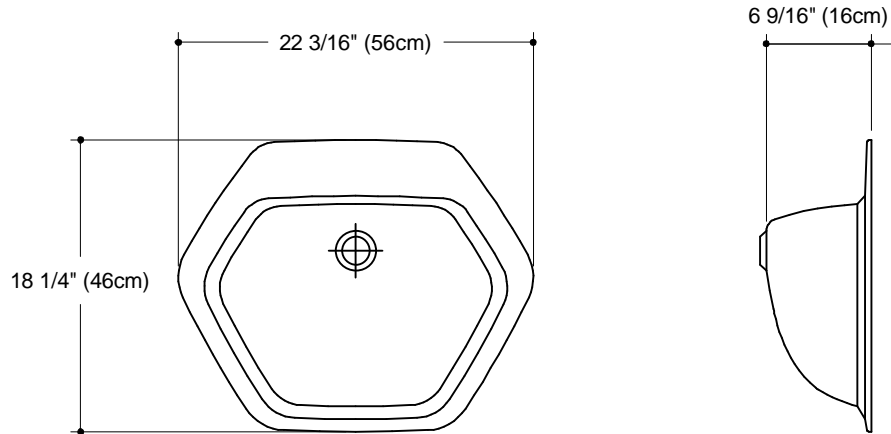


GRUBER SYSTEMS RESERVES THE RIGHT TO CHANGE THIS INFORMATION AT ANY TIME WITHOUT PRIOR NOTICE. ISSUED BY GRUBER SYSTEMS INC., 25636 AVENUE STANFORD, VALENCIA, CA 91355, USA. COPYRIGHT 2002



MOLD PART	CATALOG No.	DESCRIPTION
MALE	20008	108 HEXAGON
	20008MA	ACCUCAST TEMPLATE HEXAGON
FEMALE	400087	F-108 HEXAGON W/FAUCET LAND
	4000871	F-108 HEXAGON
PERMANENT HATS	00329	PH-HEX
	00331	PH-HEX NO OVERFLOW
REUSABLE HATS	01370	RH-HEX
NAME	108 HEXAGON	
CAST WEIGHT	SCALE 1" = 1' 0"	DATE 8-30-02
		PAGE No. BF45