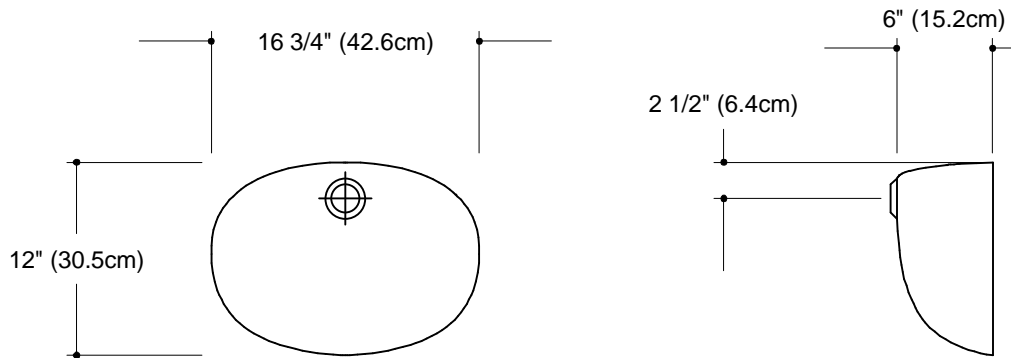


GRUBER SYSTEMS RESERVES THE RIGHT TO CHANGE THIS INFORMATION AT ANY TIME WITHOUT PRIOR NOTICE. ISSUED BY GRUBER SYSTEMS INC., 25636 AVENUE STANFORD, VALENCIA, CA 91355, USA. COPYRIGHT 2002



MOLD PART	CATALOG No.	DESCRIPTION
MALE	<b>20044</b>	<b>108-V VENTURA</b>
FEMALE	<b>400447</b>	<b>F-108 V VENTURA</b>
PERMANENT HATS	<b>002190</b>	<b>PH-V</b>
	<b>002191</b>	<b>PH-V NO OVERFLOW</b>
REUSABLE HATS	<b>013683</b>	<b>RH-V</b>
	<b>013689</b>	<b>RH-V NO OVERFLOW</b>
NAME	<b>108 V VENTURA</b>	
CAST WEIGHT	SCALE 1" = 1' 0"	DATE <b>8-30-02</b> PAGE No. <b>BF-43</b>